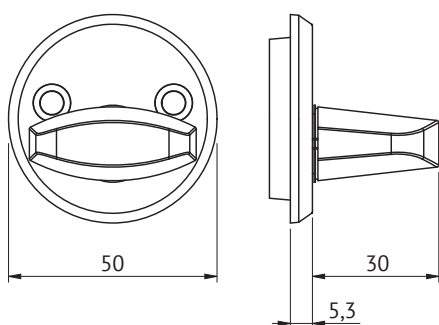


ABLOY® CH001 Thumbturn



Product description

Does not contain an exterior lock piece.
Available with multiple different surface treatments.



Technical data

Available plating options	Chrome (Cr), Satin chrome (HCr), Bright brass (MSKiLa), Satin brass (MSHaLa), Brushed nickel (NiHa), Antimicrobial-coating ACTIVE Val/Mus/Har/Gra
Weight	0,17 kg